

# TIPPING DEVICES



**ACCESSORIES**  
**SMART TECHNOLOGY**



# TIPPING DEVICES

When waste is collected first in bins and then emptied into a waste compactor, tipping devices make the process easy. Europress supplies tipping devices for all mobile waste and recycling bins compliant with the EN 840 standard (140-1100 liters), as well as for metal roller cages for cardboard.

Europress tipping devices are designed for heavy use. The surface treatment is of the highest quality, and they can be tailored for specific applications.

Our tipping devices can also be tailored individually for bins larger than 1100 liters. Depending on the model, they can be installed either directly on the waste compactor or as a separate device on the loading bay, for example.

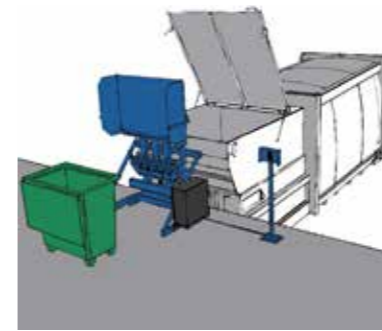
Stand-alone tipping devices always come with a separate control panel, and a separate hydraulics unit is also available.

Maximum lifting weight (kg)	500 *
Tipping cycle time (s)	24-34
Bin size options (l)	140-1100
Power supply	400 V, 50 Hz, 3x C16 A

\* The lifting capacity depends on the model of the tipping device and the number of uses

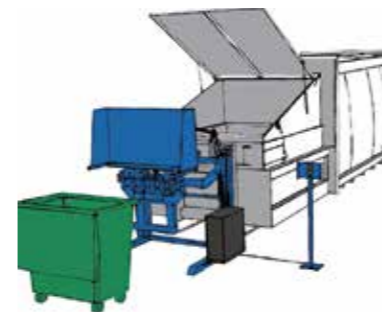


## TIPPING DEVICES



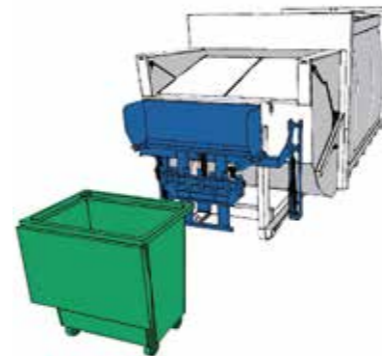
### S6

- Stand-alone device for loading bays
- Available with separate hydraulics unit and electrical outlet
- Compatible with all Europress waste compactors
- Tips waste bins from 140-1100 liters
- 1-phase, 1-cylinder



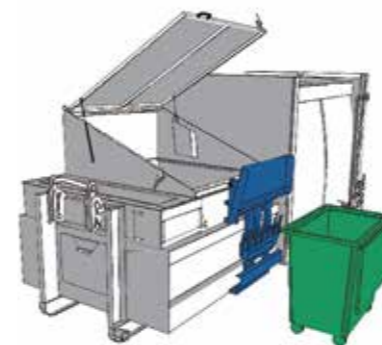
### S7

- Stand-alone device with ground-level/loading bay/through-the-wall feeding
- Available with separate hydraulics unit and electrical outlet
- Compatible with all Europress waste compactors
- Tips waste bins from 140-1100 liters
- 2-phase, 3-cylinder



### S8

- Fixed device installed on waste compactor
- Feeding from front of waste compactor
- Compatible with Europress Combi, Combio and Duo waste compactors
- Tips waste bins from 140-1100 liters
- 2-phase, 3-cylinder



### S9

- Fixed device installed on waste compactor
- Feeding from side of waste compactor
- Compatible with Europress Combi, Duo and EPC waste compactors
- Tips waste bins from 140-1100 liters
- 1-phase, 1-cylinder



### TIPPING DEVICE FOR ROLLER CAGES

- Stand-alone device with ground-level/through-the-wall feeding
- Available with separate hydraulics unit and electrical outlet
- Compatible with all Europress waste compactors
- 1-phase

# SMART TECHNOLOGY ON EUROPRESS TIPPING DEVICES



Innovative Europress SMART features increase convenience and safety, also on our tipping devices. Optional SMART services make it possible to connect waste bins to the SMART system and monitor their data in real time. The integrated scale on the tipping device weighs the amount of waste being tipped each time.

## SCALETIPPER X1

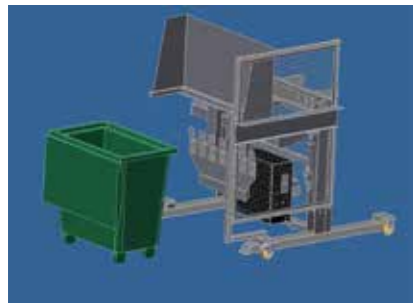
- Advanced solution consists of tipping device plus web and mobile app
- Integrated SMARTwaste app
- Europress Scale system
- Multiple simultaneous user keys available
- Tips waste bins from 140-1100 liters
- Compatible with 3-cylinder Europress devices
- SMART hydraulics enable stepless adjustment of tipping speed

# MOBILE TIPPING DEVICES



## TIPPING DEVICE ON RAILS

- Mobile tipping device that enables unobstructed feeding for multiple devices, either manually or with forklift
- Device in photo equipped with safety screen
- Recommended for indoor use, as rails must be kept clean



## TIPPING DEVICE ON WHEELS

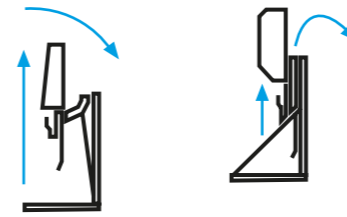
- Sturdy and robust tipping device
- Large wheels make it easier to move than other tipping devices
- Suitable also for outdoor use



## TIPPING DEVICE WITH ROTATING AXLE

- Unobstructed feeding for a single device
- Tipping device rotates on an axle
- Requires strength to rotate
- Recommended for indoor use, as floor must be kept clean

# STANDARD FEATURES ON TIPPING DEVICES



1-function tipping device

2-function tipping device

Europress offers both 1-function and 2-function tipping devices. 1-function tipping devices tip the waste bin over its axle and are always placed on a raised platform, such as a loading bay. 2-function tipping devices first lift and then tip the waste bin. 2-function tipping devices can be used for ground level and through-the-wall feeding, as well as on loading bays.

- Europress tipping devices comply with all safety regulations
- Accessories have hydraulic safety valves

# ACCESSORIES



## STAINLESS STEEL TIPPING TRAY

All Europress tipping devices are available with stainless steel tipping trays that are easy to keep clean. Stainless steel tipping trays are recommended especially for handling biowaste in order to prevent rust from dripping waste and for easy cleaning.



## SAFETY SCREENS

- Safety screens can be tailored for different purposes
- Smaller safety screens that attach to tipping devices are also available



## GRAB ARMS FOR DIN-COMPLIANT WASTE BINS

- Suitable for lifting heavy bins
- DIN-compatible grab arms available as a lifting mechanism or axle solution
- Grab arms on lifting mechanism can handle bins up to 1100 liters
- Grab arms on axle can handle bins up to 240 liters
- The alternative to grab arms is the standard tipping solution, which lifts all types of waste bins from the edges



## AUTOMATIC SHAKE FUNCTION

- Helps empty bins
- Protects device from damage caused by manual shaking



 **EUROPRESS**

**SMART BALERS & COMPACTORS**